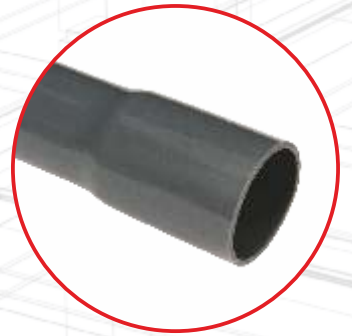




KOPOS

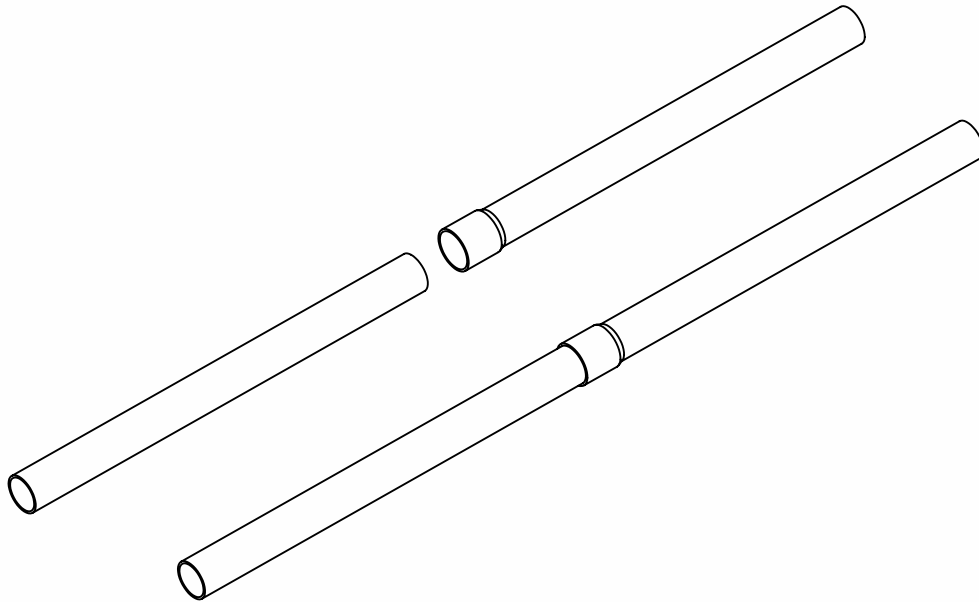
INSTALLATION INSTRUCTIONS

RIGID PIPES



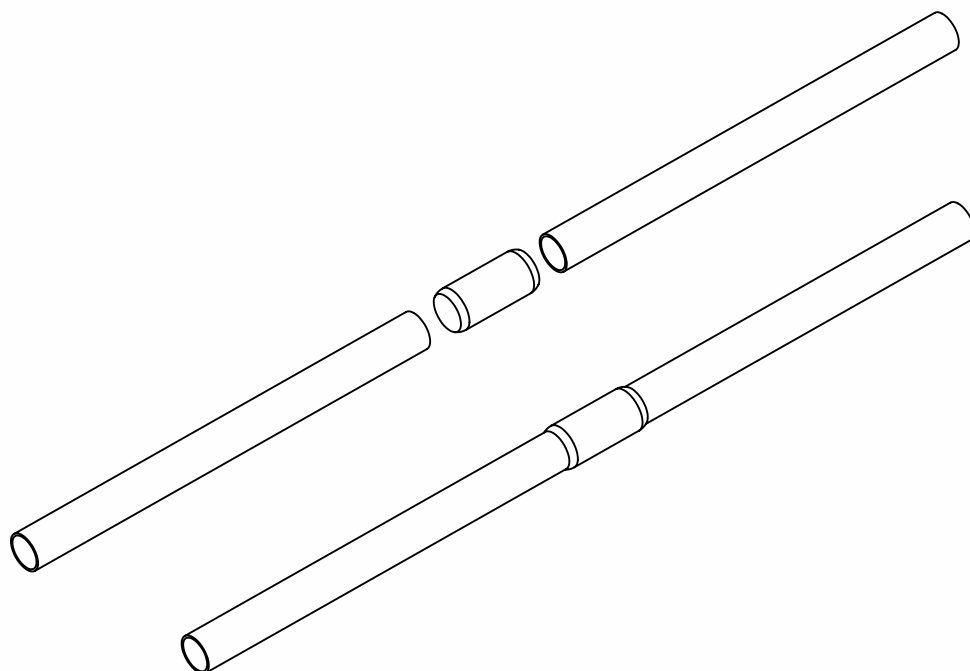
1. The connection of rigid socket pipes of series 15xx, 15xxHF, 40xx, 40xxHF, 80xx a 80xxHF

On each pipe there is a socket on one side, into which the end of the other pipe without socket is inserted.



2. The connection of rigid pipes without socket

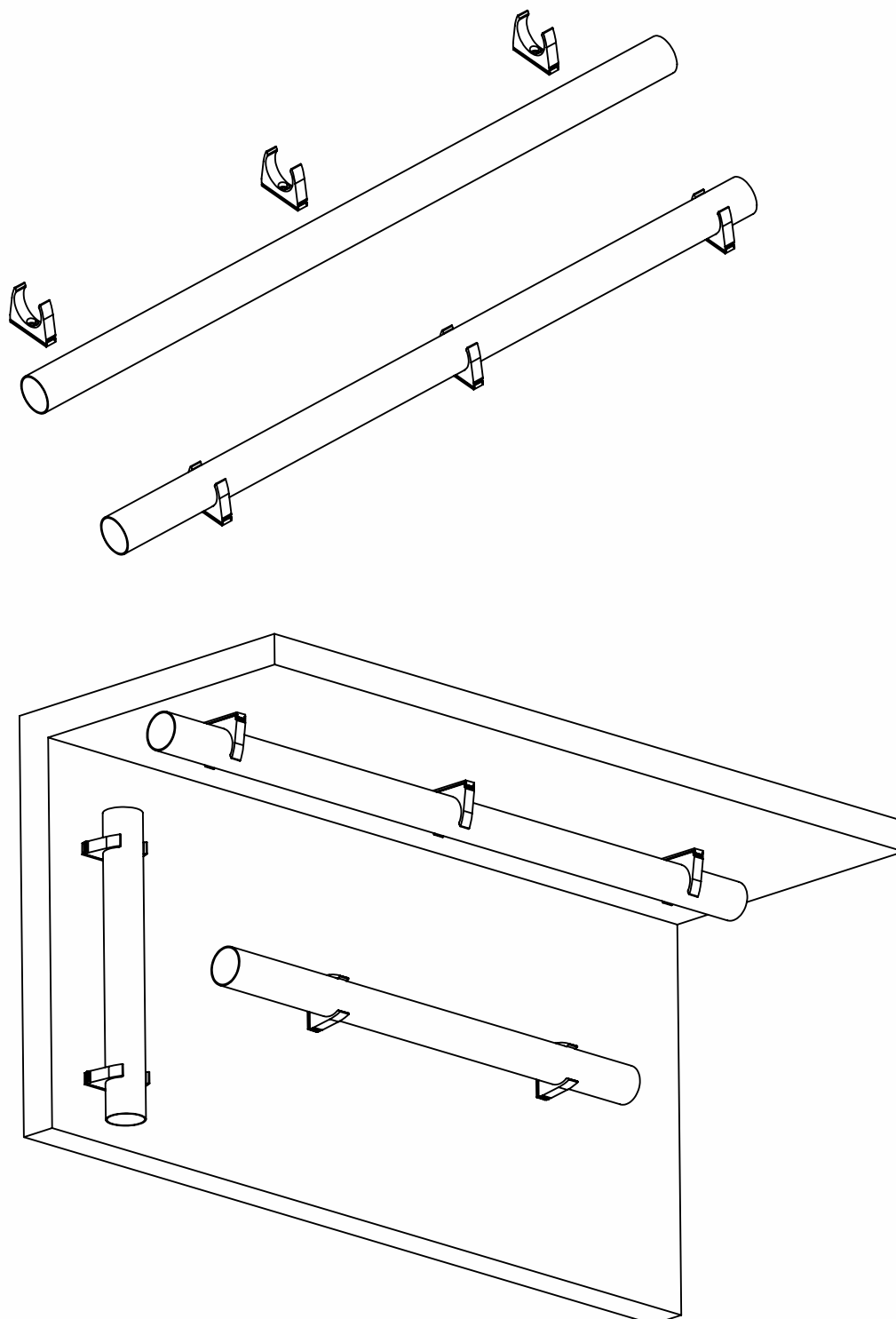
Pipes are connected using a push-on connector (02xx or 02xxHF), into which the pipes are inserted from both sides.



3. The fixation of rigid pipes in interior

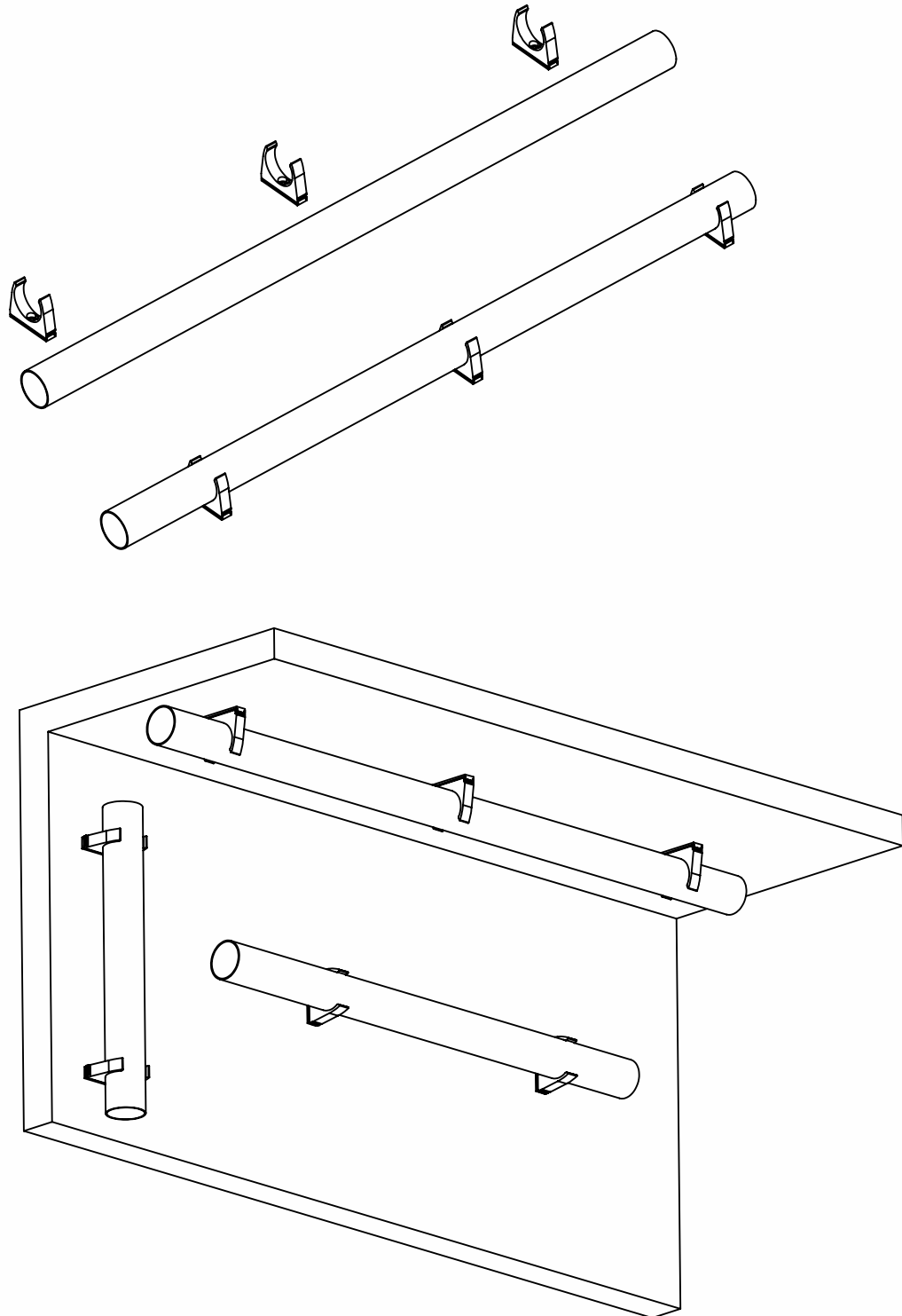
Pipes are fastened into clamps (53xx, 53xxHF) by pushing. Maximum distance between the clamps is shown in the table.

Pipe diameter		mm	16	20	25	32	40	50	63
Distance between clamps	horizontal route	mm	600	650	700	750	800	850	900
	vertical route	mm	800	850	900	950	1000	1050	1100



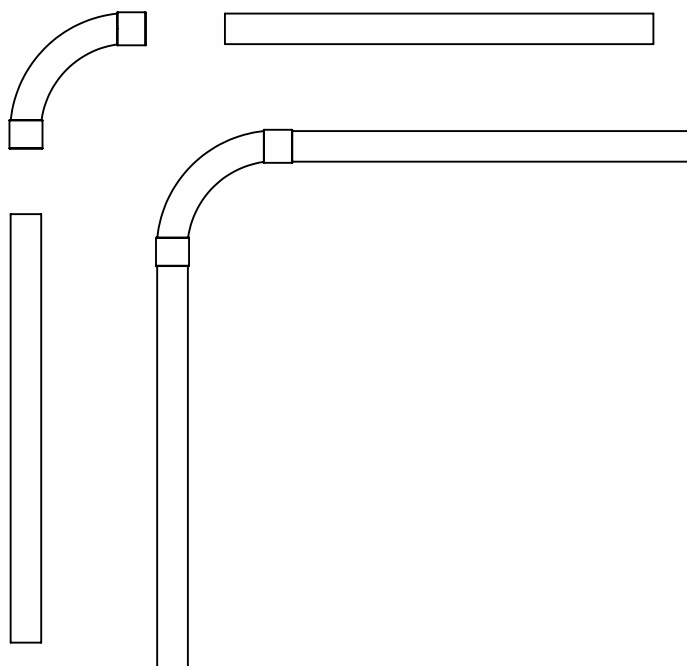
4. The fixation of rigid UV pipes (15xxHF FA, 40xxHF FA, 80xxHF FA) outdoors

Pipes are fastened into clamps 53xxHF FB by pushing. Maximum distance between the clamps is 500 mm.



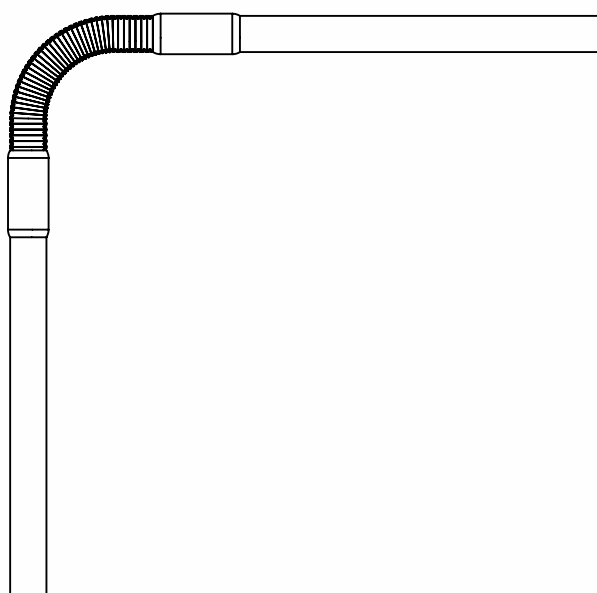
5. Turning the route using an elbow

The 90 ° turning can be made using a socket elbow (41xx or 41xxHF). A rigid pipe without socket is inserted into the socket elbow.



6. Turning the route using a flexible pipe

A 90 ° or other bend can also be made using a flexible pipe. A rigid pipe without socket is inserted into the connector from one side and a flexible pipe of the same diameter is inserted from the other side.



7. The installation of UV stable rigid pipes

UV stable rigid pipes can be installed outdoors following the rules:

- a) maximum distance between clamps is 500 mm
- b) approx. 300 mm of a flexible UV stable pipe must be installed every 12 m due to the expansion of plastic materials
- c) the end of the pipe (in a box, at a light, ...) must be made using a flexible UV stable pipe of 300 mm length at least

Where the installation is expected to be exposed to high sunlight, such as roofs of buildings, parking lots, etc., it is the best to use the installation in hot dip galvanized steel pipes!

